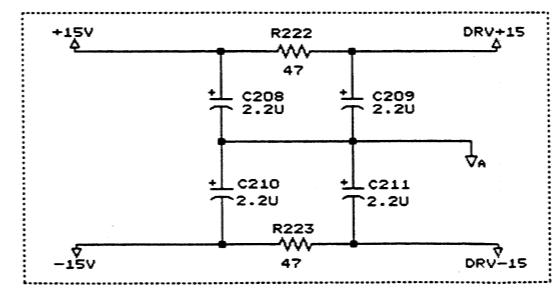
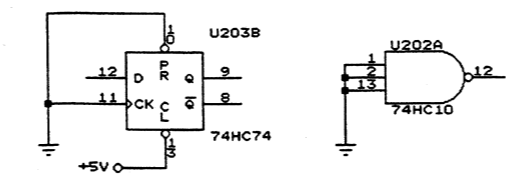
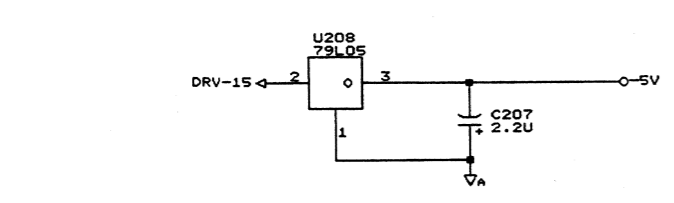
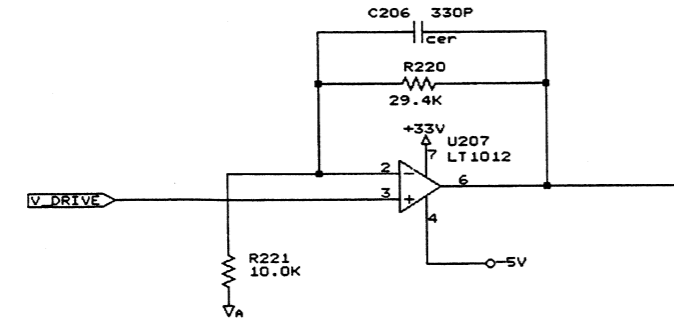
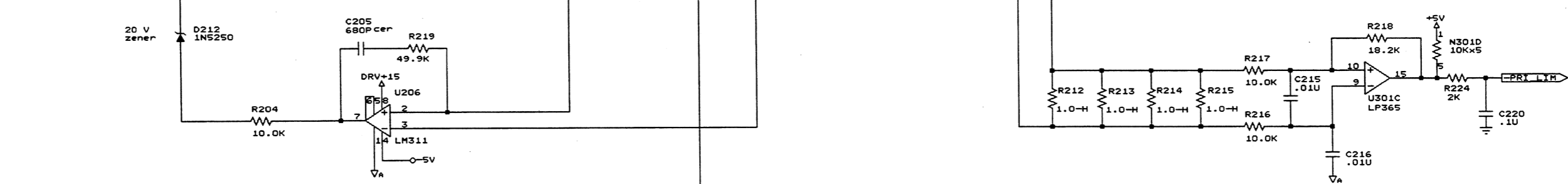
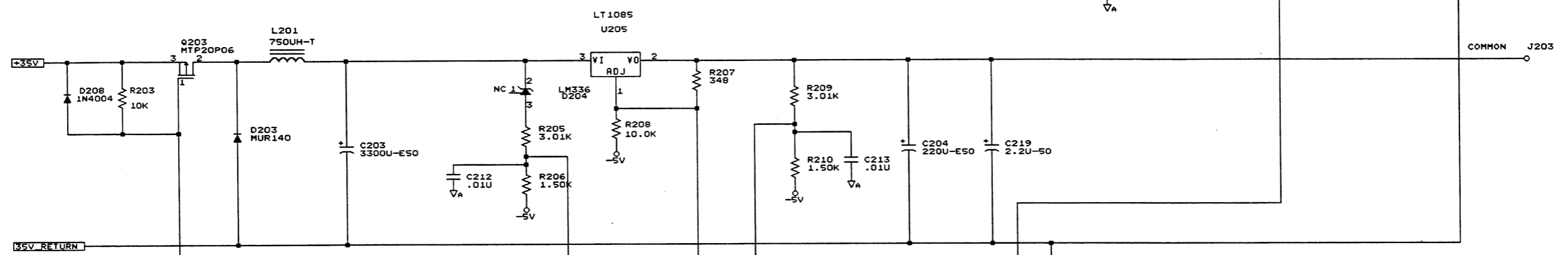
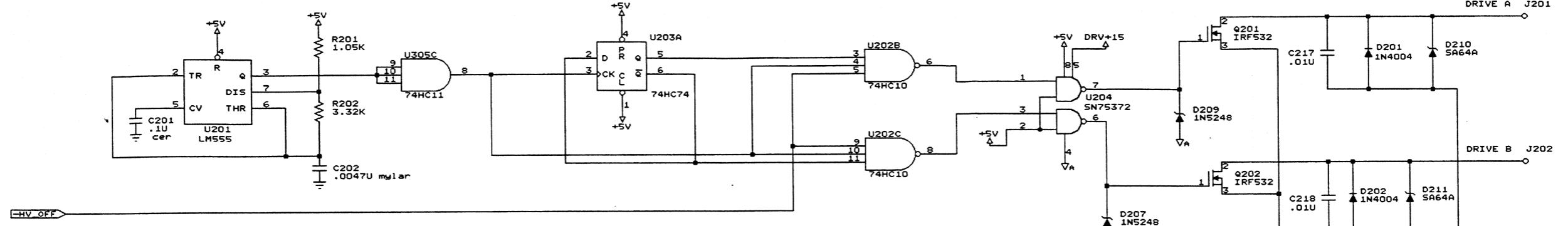
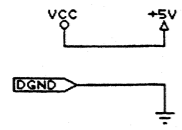
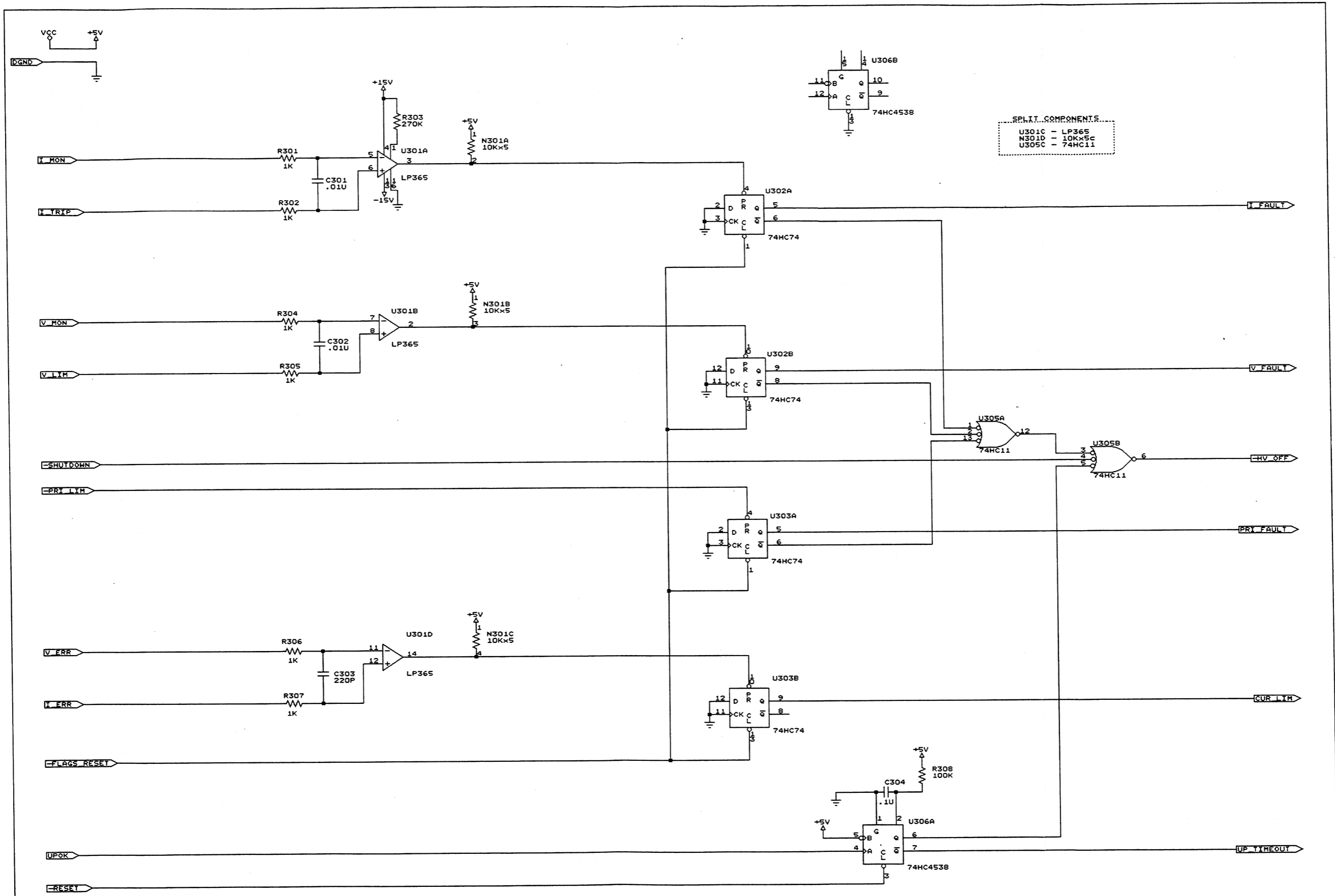


STANFORD RESEARCH SYSTEMS	
LINK	PS300-10
HV2.SCH	REV I
HV3.SCH	
HV4.SCH	
HV5.SCH	
HV6.SCH	
HV7.SCH	
Title	VOLTAGE CONTROL
Size	Document Number
C	PS300-10
Date:	August 15, 1996 Sheet 1 of 7

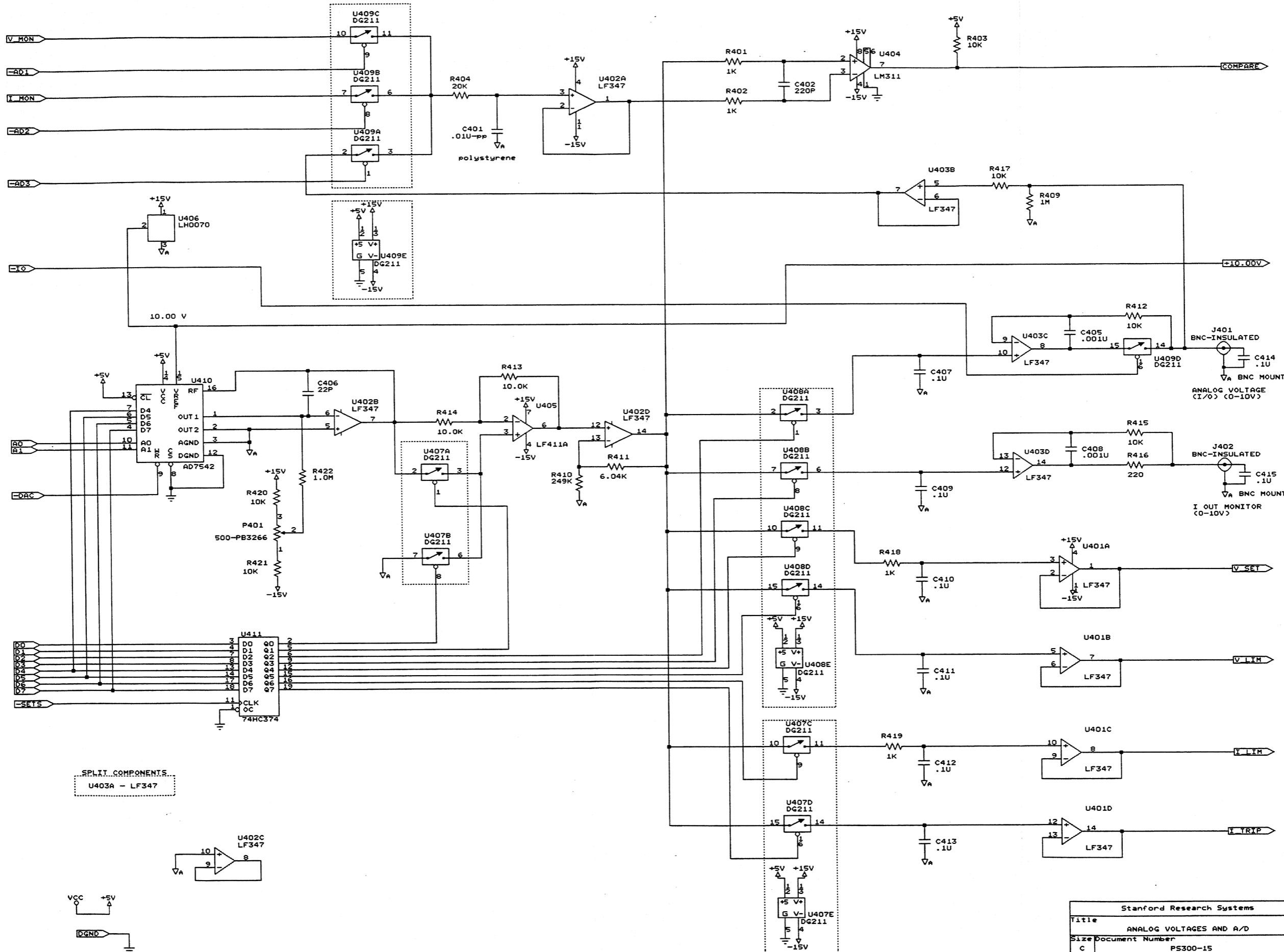


STANFORD RESEARCH SYSTEMS		
Title	HIGH VOLTAGE DRIVE	
Size Document Number	REV	
C	P5300-11	I
Date:	August 15, 1996	Sheet 2 of 7

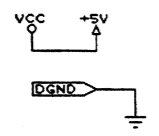
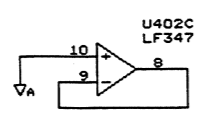


SPLIT COMPONENTS
 U301C - LP365
 N301D - 10Kx5
 U305C - 74HC11

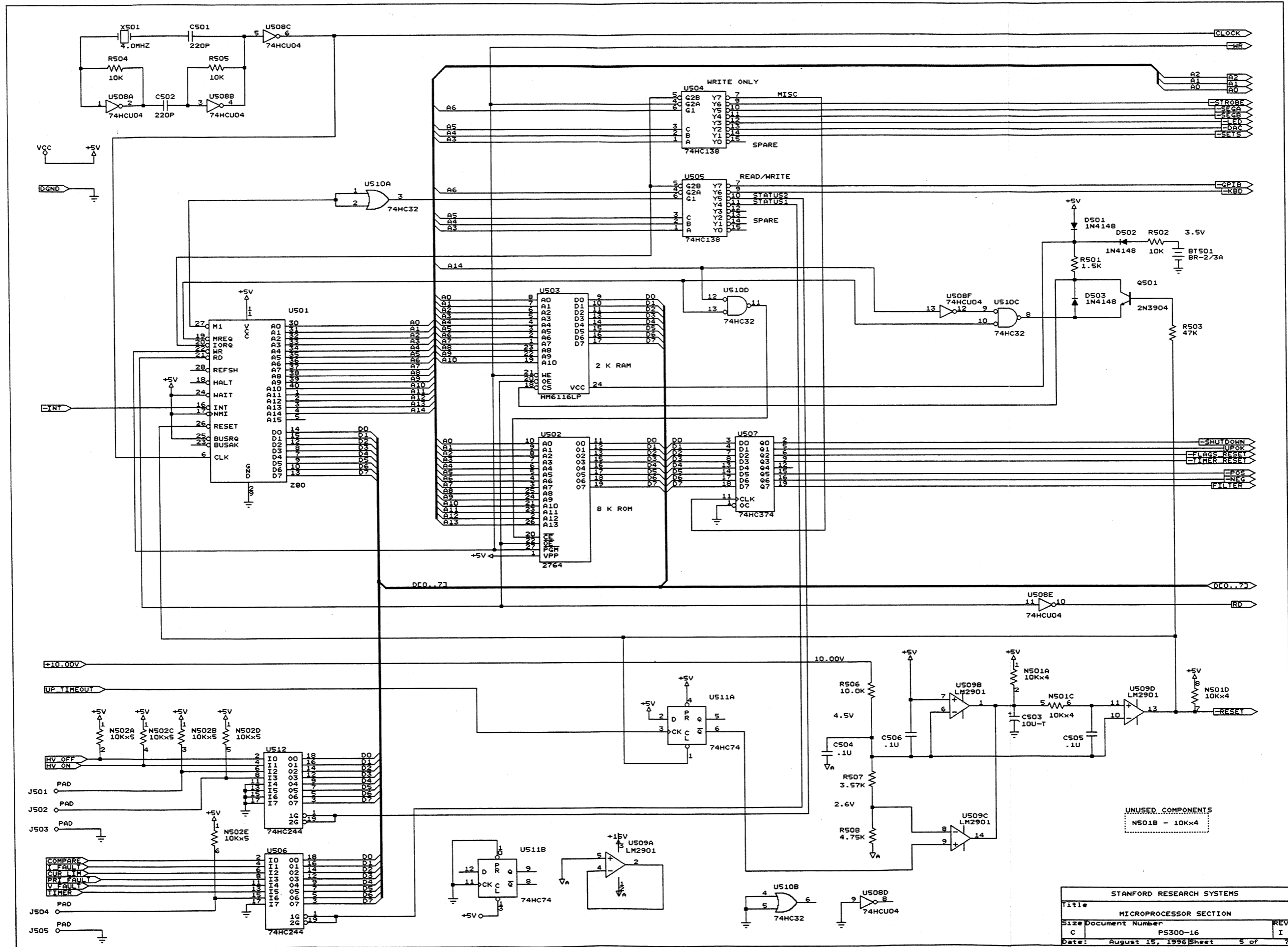
STANFORD RESEARCH SYSTEMS		
Title	LIMITS AND TRIPS	
Size	Document Number	REV
C	PS300-12	I
Date:	August 15, 1996	Sheet 3 of 7



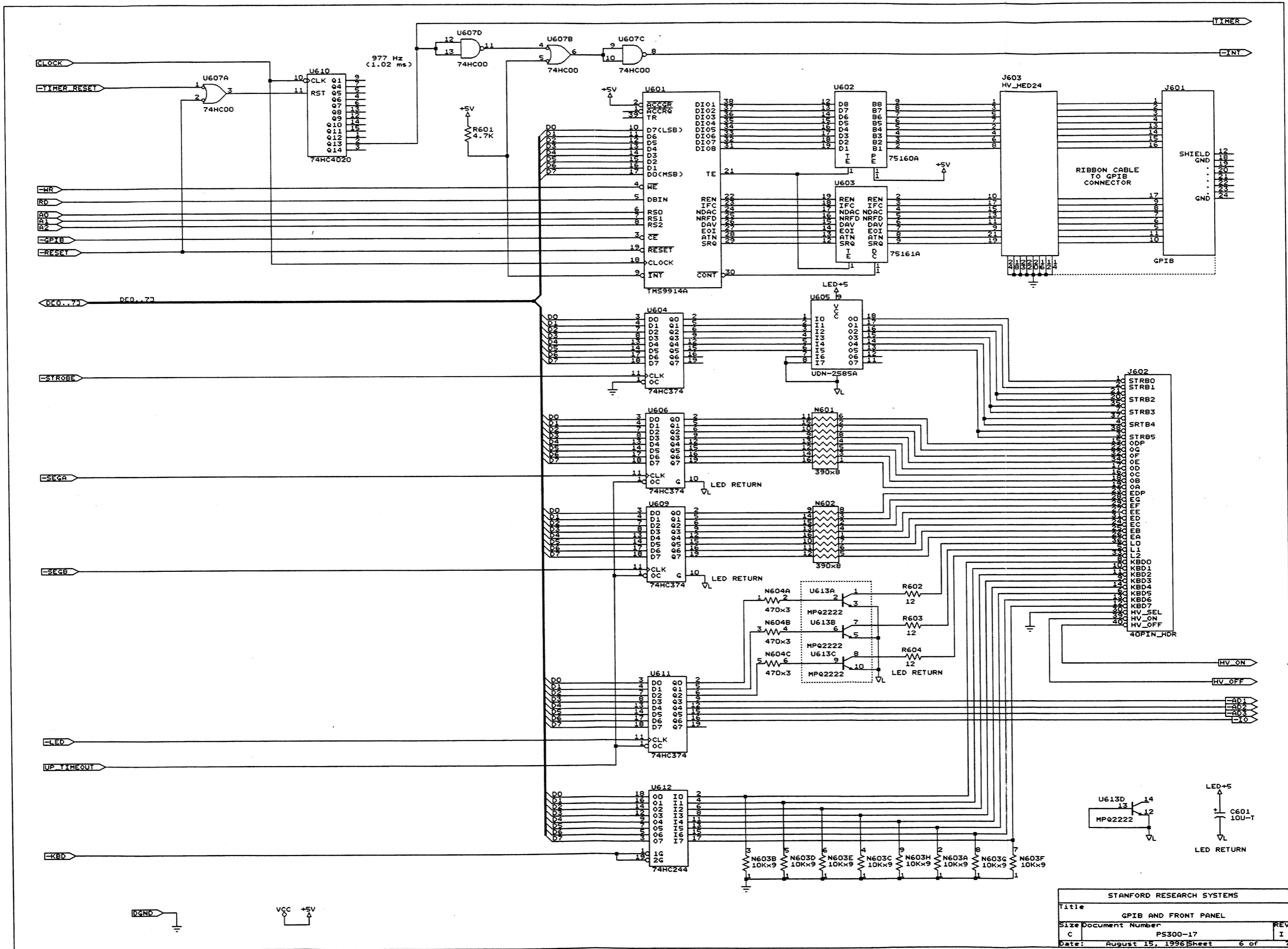
SPLIT COMPONENTS
U403A - LF347



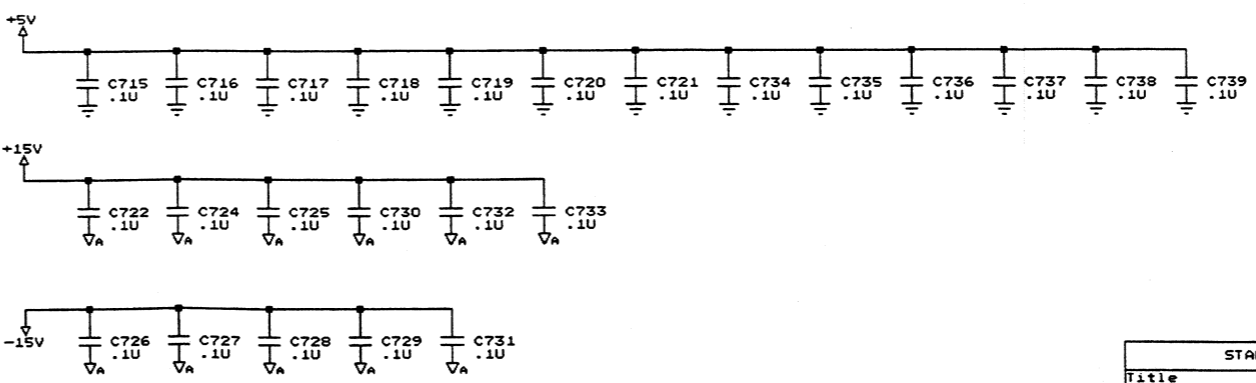
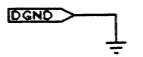
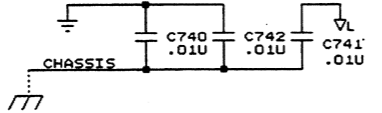
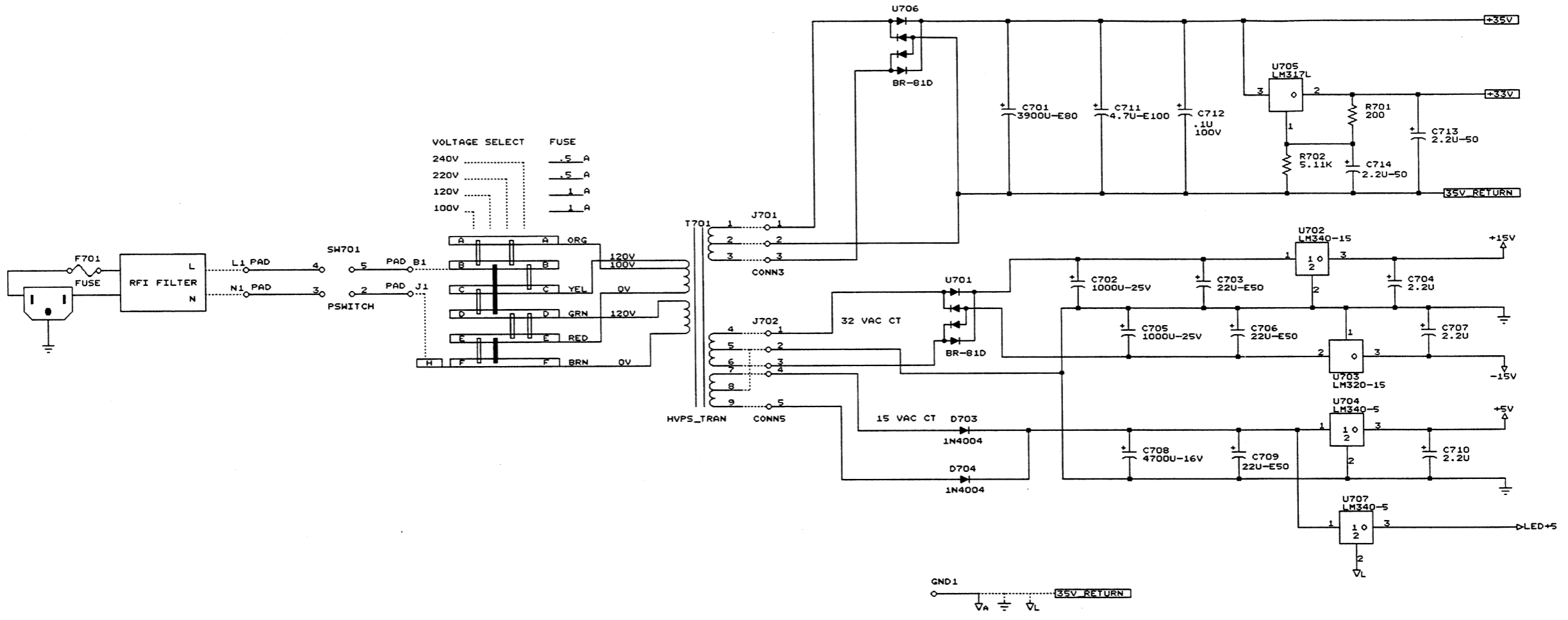
Stanford Research Systems	
Title	ANALOG VOLTAGES AND A/D
Size Document Number	PS300-15
REV	I
Date:	August 15, 1996 Sheet 4 of 7



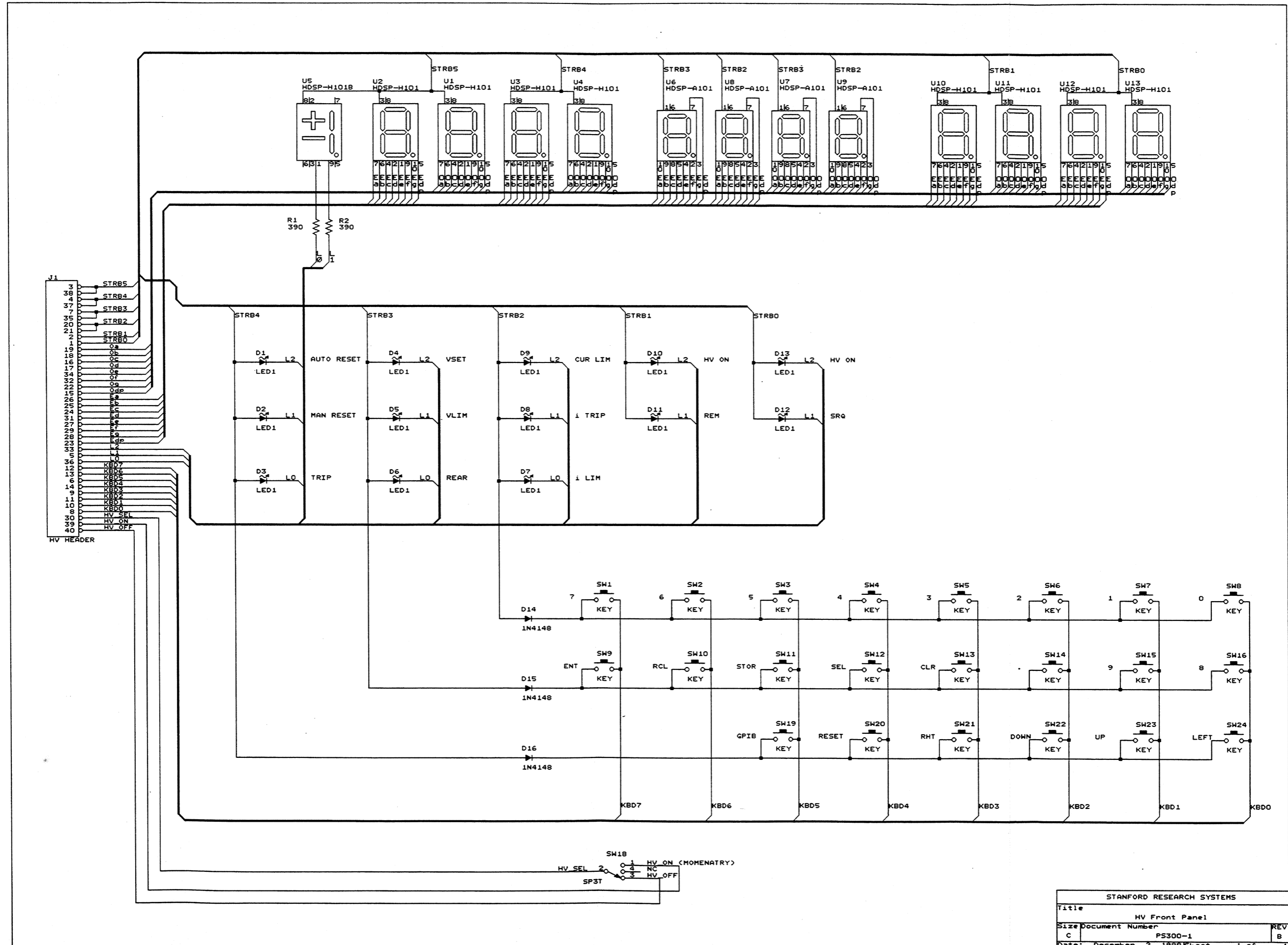
STANFORD RESEARCH SYSTEMS	
Title	MICROPROCESSOR SECTION
Size Document Number	PS300-16
C	REV I
Date:	August 15, 1996 Sheet 5 of 7



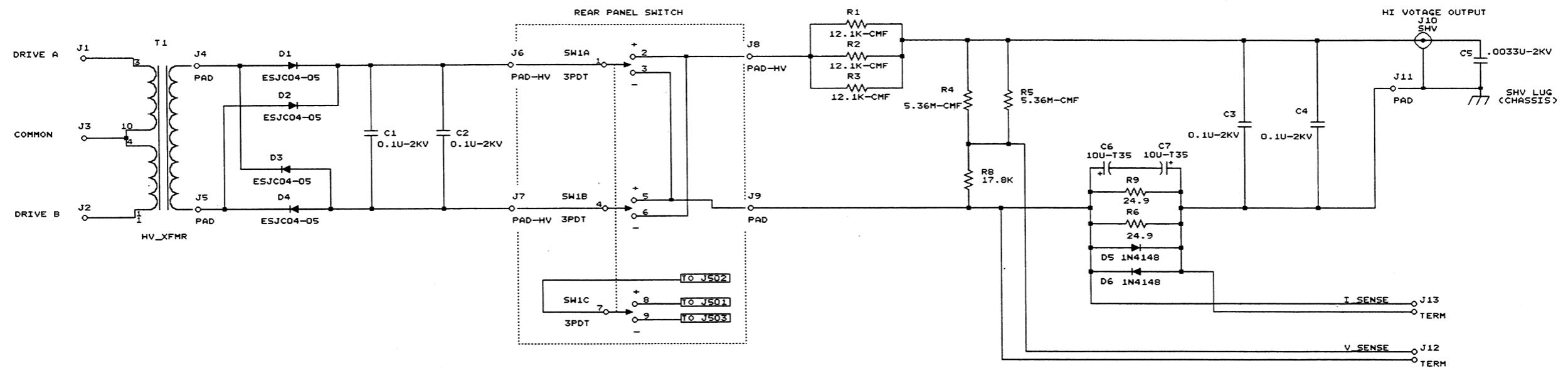
STANFORD RESEARCH SYSTEMS		
Title GPIB AND FRONT PANEL		
Size Document Number	REV	
C PS300-17	I	
Date: August 15, 1996	Sheet 6 of 7	



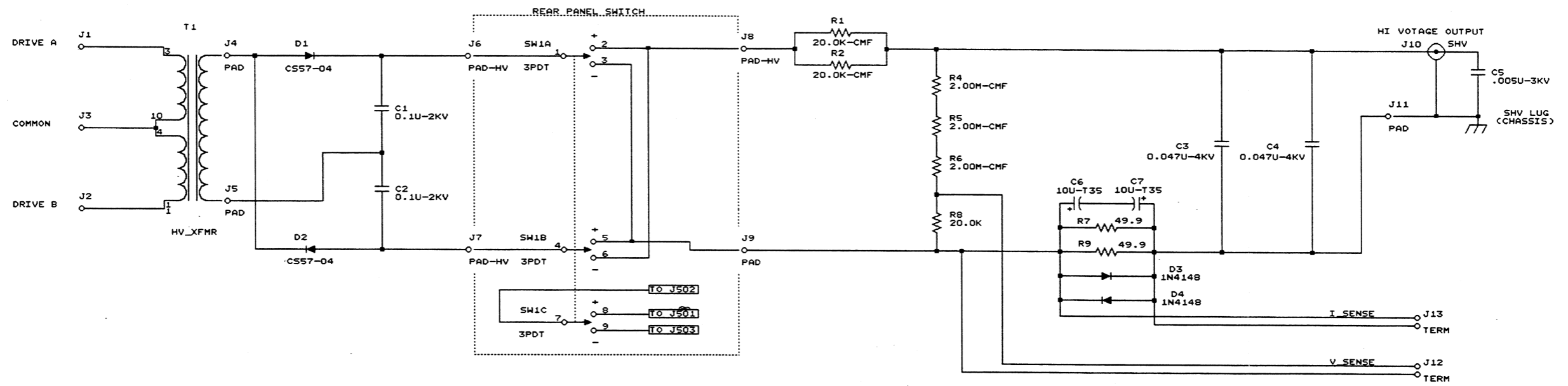
STANFORD RESEARCH SYSTEMS		
Title LOW VOLTAGE POWER SUPPLY		
Size Document Number	REV	
C PS300-19	I	
Date: August 15, 1996	Sheet	7 of 7



STANFORD RESEARCH SYSTEMS		
Title	HV Front Panel	
Size Document Number	PS300-1	REV B
Date: December 2, 1988	Sheet	1 of 1

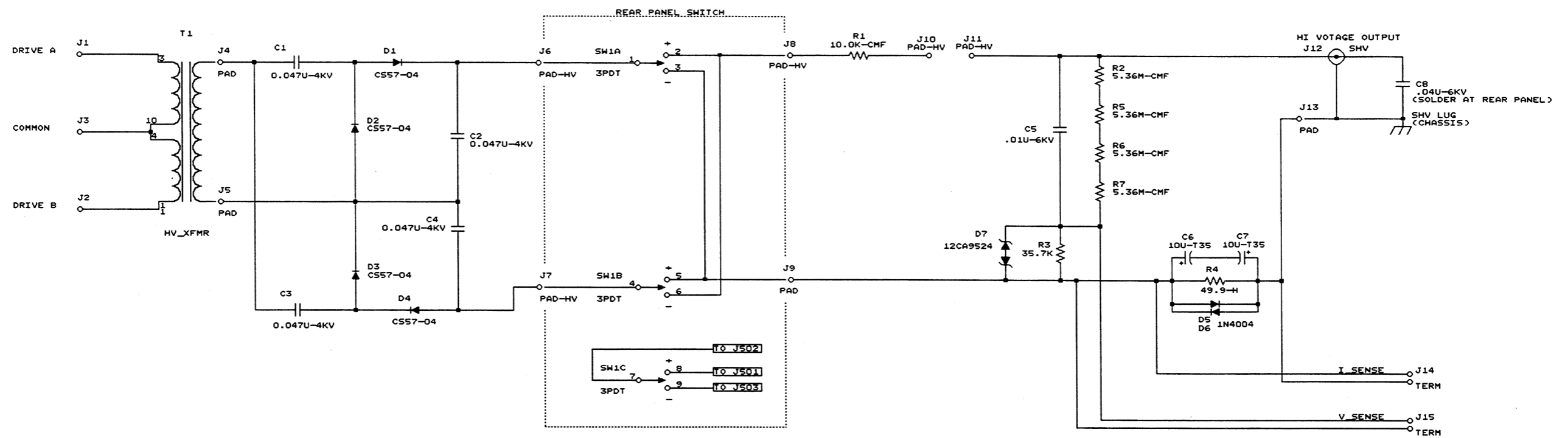


STANFORD RESEARCH SYSTEMS		
Title	MODEL PS310 1250V 20mA	
Size	Document Number	REV
C	PS300-12	E
Date:	July 17, 1996	Sheet 1 of 1



10/11

STANFORD RESEARCH SYSTEMS			
Title	MODEL PS325 2500V 10mA		
Size	Document Number	REV	
C	PS300-13	E	
Date:	August 12, 1996	Sheet	1 of 1



11/11

STANFORD RESEARCH SYSTEMS			
Title	MODEL PS350 5000V 5mA		
Size	Document Number	REV	
C	PS300-14	C	
Date:	May 14, 1997	Sheet	1 of 1